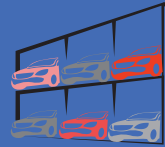


CALL 877-799-LIFT



MASS Park
MECHANIZED AUTO STORAGE SOLUTIONS

RAISING YOUR EXPECTATIONS

WWW.MASSPARKTLS.COM

PARK LOGIC
TLSPSC0602R1

YOUR PARKING SOLUTION HEADQUARTERS. THE “PARK LOGIC” CAR STORAGE SOLUTION

SCISSOR PLATFORM PARKING LIFTS - FEWER MOVING PARTS & LESS MAINTENANCE

6,000 LB. (2.7T) CAPACITY WITH A FOOT
PRINT OF ONLY 144” X 100” (3658 X
2540MM) - NO INSTALLATION REQUIRED
NO CABLES, PULLEYS OR CHAINS



FEATURES

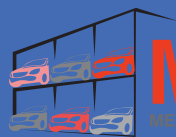


- * DOUBLE HYDRAULIC DIRECT DRIVE LIFT CYLINDERS
- * GALVANIZED ANTI SLIP PLATFORM
- * NO CABLES, PULLEYS OR CHAINS
- * 76 3/4” / 1950MM CLEARANCE UNDER DECK
- * INTEGRATED CONTROL OPERATES ON 24V
- * FIVE MECHANICAL LOCK POSITIONS
- * SAFETY KEY SWITCH CONTROLLER
- * OVERLOAD PROTECTION & VELOCITY FUSES
- * REQUIRES LESS FLOOR SPACE
- * LIFT IS PROTECTED BY A POWDER COAT FINISH
- * RESIDENTIAL OR COMMERCIAL USE

CONTACT US NOW WWW.MASSPARKBYTLS.COM OR CALL 877-799-LIFT

PLATFORM SCISSOR PARKING LIFT

6,000 LB. (2.7T) CAPACITY



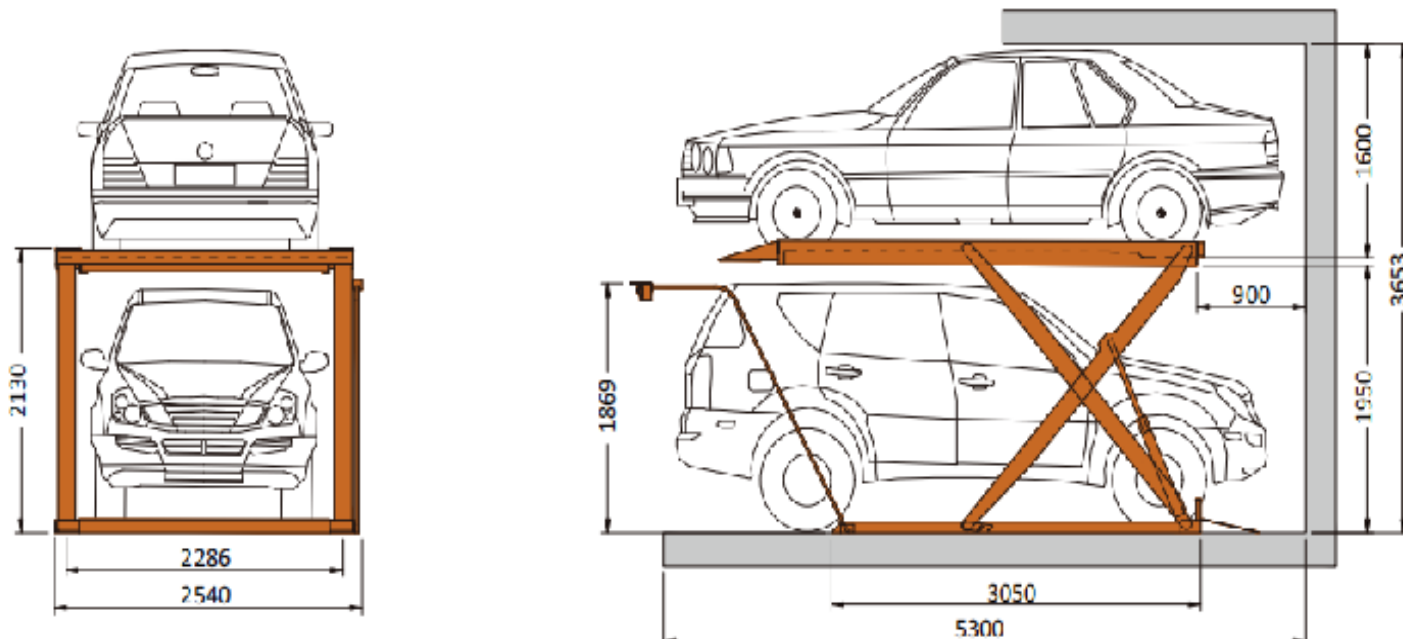
MASS Park
MECHANIZED AUTO STORAGE SOLUTIONS

**PARK LOGIC
TLSPSC0602R1**

TECHNICAL SPECIFICATIONS

SPECIFICATION	PARK LOGIC
CAPACITY	6,000 LBS / 2.7T
OVERALL BAY LENGTH REQUIRED	208 5/8" (5300MM)
OVERALL LENGTH	141" (3580MM)
OVERALL WIDTH SINGLE LIFT	100" (2540MM)
INSIDE SCISSORS	83" (2112MM)
RUNWAY WIDTH	83 3/4" (2127MM)
LENGTH OF BASE FRAMES	120" (3050MM)
FULLY RAISED HEIGHT	83 7/8" (1848MM)
RUNWAY HEIGHT	3 1/2" (89MM) AT REAR OF RUNWAY
LIFTING HEIGHT TO UNDER RUNWAY	76 3/4" (1950MM)
POWER TO LIFT CONTROLS	24V
LIFTING TIME	55 SECONDS
MOTOR	3 HP (2.2KW)
MECHANICAL LOCKING SYSTEM	5 POSITION ANTI FALL LOCK
POWER REQUIREMENT	- 220V / 60HZ / 1PH
SHIPPING WEIGHT	2340 LB. / 1063 KG

S



DISCLAIMER: TLS INC. IS CONSTANTLY UPDATING THEIR PRODUCTS TO MAINTAIN THE HIGHEST POSSIBLE STANDARDS OF PERFORMANCE AND SAFETY. THE SPECIFICATIONS INCLUDED IN THIS BROCHURE ARE ONLY ACCURATE AT THE TIME OF PRINTING AND ARE SUBJECT TO CHANGE WITHOUT NOTICE.



MASS PARK BY TLS

HEAD OFFICE & MANUFACTURING CENTRE
2300 SPEERS ROAD, OAKVILLE ONTARIO, L6L2X8
CALL: 866-799-5438 FAX: 905-891-1214

MASS PARK AND ALL ITS REGISTERED TRADE MARKS
ARE PART OF THE TLS LIFT GROUP. PLEASE CALL US
FOR PRODUCT INFORMATION ON COMMERCIAL AND
HEAVY DUTY LIFT PRODUCTS. WWW.TLSLIFTS.COM

