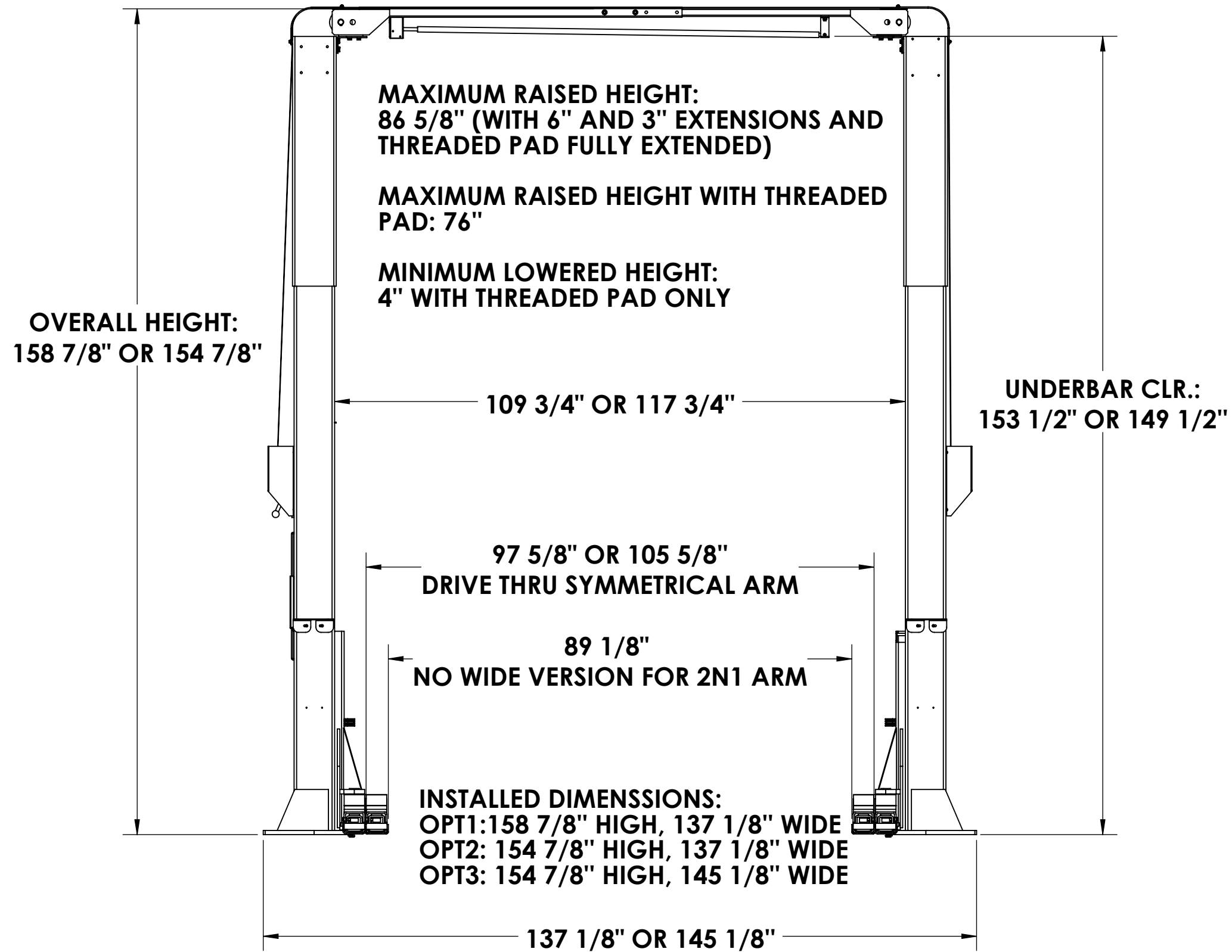
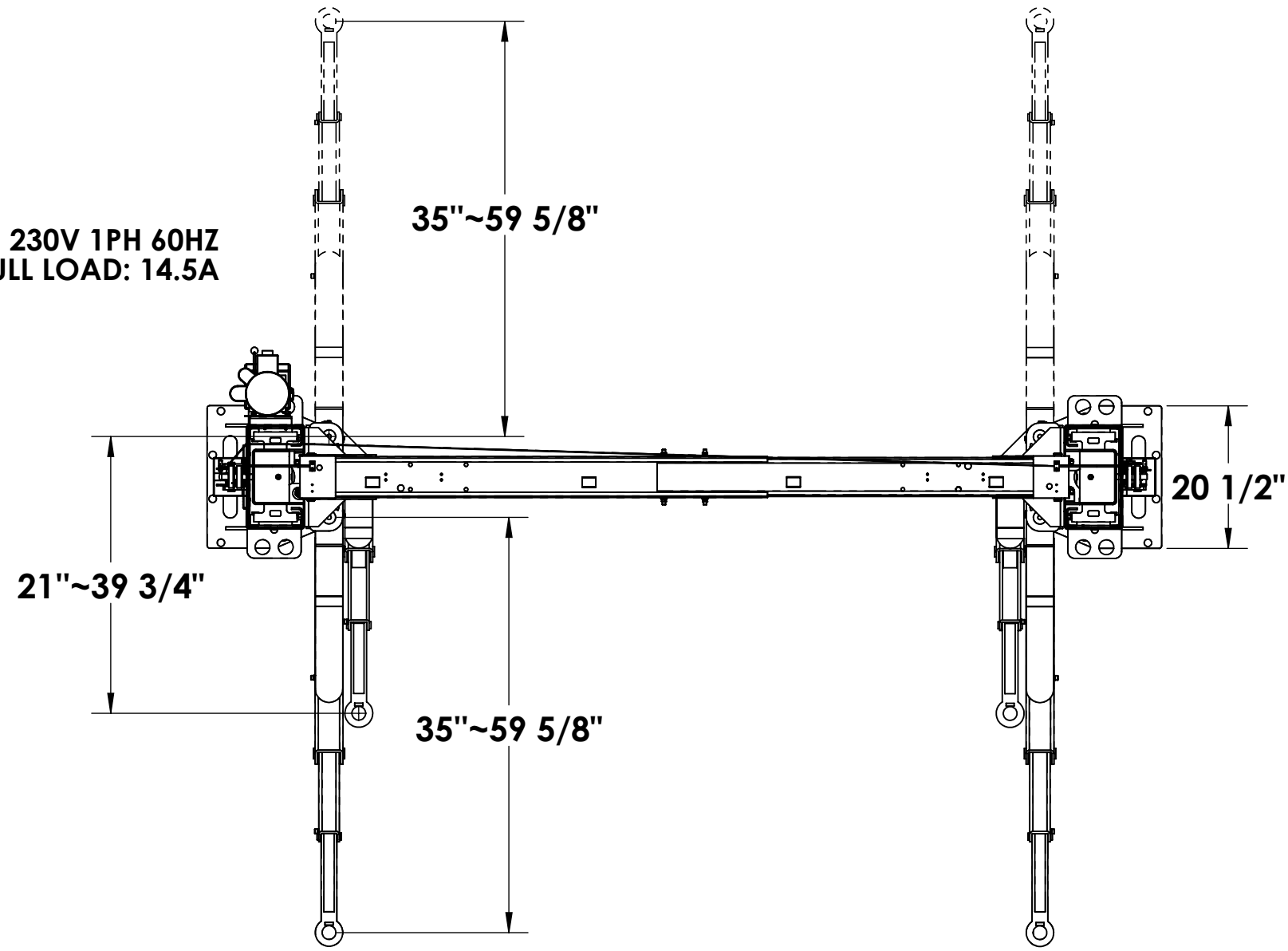


**MOTOR: 230V 1PH 60HZ  
AMP@FULL LOAD: 14.5A**



**UNLESS OTHERWISE SPECIFIED:  
DIMENSIONS ARE IN [MM] INCHES**

**TOLERANCES:**  
FRACTIONAL: ±[1.5] 1/16"  
ANGLE: MACH ±1/2° BEND ±1°  
X.X" (1 DECIMAL): ±[3] 0.1"  
X.XX" (2 DECIMAL): ±[1] 0.03"  
X.XXX" (3 DECIMAL): ±[0.5] 0.010"  
**GEOMETRIC TOLERANCING PER:  
ASME Y.14.5M-1994**

**TLS**  
**PROPRIETARY AND CONFIDENTIAL**  
THE INFORMATION CONTAINED IN THIS  
DRAWING IS THE SOLE PROPERTY OF TOTAL  
AUTOMOTIVE LIFTING SOLUTIONS INC. (TLS).  
ANY REPRODUCTION IN PART OR AS A  
WHOLE WITHOUT THE WRITTEN PERMISSION  
OF TLS IS PROHIBITED.

**TOTAL AUTOMOTIVE LIFTING  
SOLUTIONS INC.**  
(905)847-1198 FAX (905)891-1214  
[www.TLSLifts.com](http://www.TLSLifts.com)

TITLE: 12,000 LBS 2 POST

SIZE	PART#	REV.
C	ALT. PART#	

SCALE: 1:22 WEIGHT: lbs SHEET 9 OF 9